

Eco Preparation 1000 mm Sink with 1 Bowl - Right Drain

ITEM # _____

MODEL # _____

NAME # _____

SIS # _____

AIA # _____


132895 (SL10DN)

 Sink Unit with 1 bowl right
 hand drainer
 400x500x250mm, 1000mm

Short Form Specification

Item No. _____

Worktop in 304 AISI stainless steel with front edge h=50mm. Rear upstand h=100mm. N.1 bowl 400x500mm. Front and side covering panels in stainless steel. Rear panel in stainless steel. Square section legs 40x40mm in stainless steel with adjustable feet.

Main Features

- Sturdiness, stability and reliability of table accurately tested.

Construction

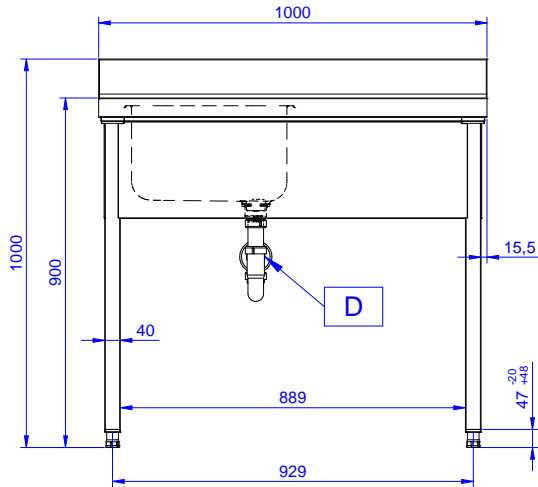
- Constructed entirely in stainless steel to offer maximum durability.
- Delivered in knock-down package.
- Wide range of taps are available to suit every need.
- Drainage area suitable for drying operations

Optional Accessories

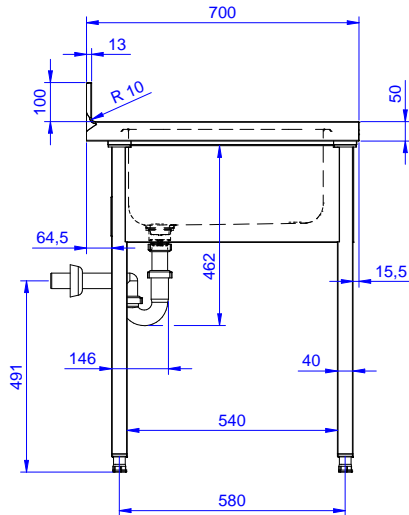
- Lower shelf for 1000 mm tables and for 1600 mm undercounter dishwasher sinks PNC 855144
- Set of 4 wheels (2 with brake) d. 100mm for tables and sinks (total height on wheels= 993 mm) PNC 855150
- 3-sided underframe for 1000mm tables PNC 855151
- Single plastic drain syphon 1,5" for work tables with bowl PNC 855306
- Mixer tap with swivel spout 3/4", single hole PNC 855319
- Elbow operated mixer tap with spout 3/4", single hole PNC 855322
- Elbow operated mixer tap with short spout 3/4", single hole PNC 855323
- Elbow operated tap with spray arm and spout, single hole PNC 855324
- HD mixer tap with spray arm 3/4", single hole PNC 855326
- Foot operated mixer tap (hot and cold) with spout 3/4" PNC 855328

APPROVAL: _____

Front

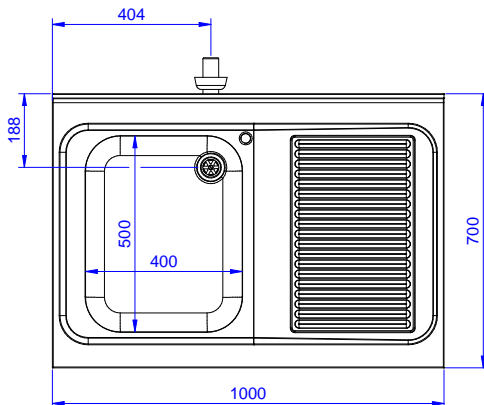


Side



D = Drain

Top


Key Information:

External dimensions, Width:	132895 (SL10DN)	1000 mm
External dimensions, Depth:		700 mm
External dimensions, Height:		900 mm
Upstand Dimensions, Height:		100 mm
Upstand Dimensions, Depth:		13 mm
Upstand Dimensions, Radius:		R=10
Bowls number		1
Bowl dimensions		400X500XH250
Net weight:		40 kg